

Marinium[®]

The Marine Alloy

- **Corrosion Resistance** - Equal to or better than any common marine alloy.
- **Strength/Weight Ratio** - Highest of any common marine alloy.
- **Weight** - Approximately 1/3rd the weight of most marine grade alloys.
- **Finish** - Satin "Marinized" and Chrome Plated.
- **Short Lead Times and Assured Delivery** - For customers providing forecasts.
- **Broad Product Families** - Anything we make in bronze can be made in Marinium.



New Product Bulletin

**Fills
Rod Holders
Flag Pole Sockets**

Marinium® Deck Fills and Holders

FIG. 0541

FIG. 0540

FIG. 0528

FIG. 0447

FIG. 0577

FIG. 0448

FIG. 0220

FIG. 0219

FIG. 0579

FLAG POLE SOCKETS

I.D. Socket Inches	O.D. Flange Inches	Depth/Height Socket Inches	Straight or Angled	Dealer Pkg. 5 Cds. 1 Pc. per Card	Screw Size	Ship Wt. Carton Lbs.
1	2-3/8	1-3/4	Straight	0218DP2MAR	8	1.0
1	2-3/8	1-3/4	Angled	0219DP2MAR	8	1.3
1	2-1/2	2	Straight	0220DP2MAR	8	1.0
1	2-1/2	2	Angled	0221DP2MAR	8	1.3

COMBINATION FILLS AND TANK VENTS

FOR HOSE SIZE: 1-1/2", VENT SIZE: 5/8", LENGTH NECK: 2-7/16"

Marked For:	Dealer Pkg. 5 Pcs.	OEM Bulk Pkg. 25 Pcs.	Screw Size	Ship Wt. Carton Lbs. DP/OEM Bulk
Angled Neck, Plastic Body				
Gas	0540DPGMAR*	0540G00MAR*	8	2.7/11.3
Diesel	0540DPDMAR	0540D00MAR	8	3.0/11.3
Water	0540DPWMAR	0540W00MAR	8	2.8/11.0
Straight Neck, Plastic Body				
Gas	0541DPGMAR*	0541G00MAR*	8	2.7/11.0
Diesel	0541DPDMAR	0541D00MAR	8	2.6/10.7
Water	0541DPWMAR	0541W00MAR	8	2.6/11.0

FOR HOSE SIZE: 2", VENT SIZE: 5/8", LENGTH NECK: 3-5/8"

Straight Neck, Marinium Body	Dealer Pkg. 5 Pcs.	OEM Bulk Pkg. 25 Pcs.	Screw Size	Ship Wt. Carton Lbs. DP/OEM Bulk
Gas	-----	0577G00MAR*	8	0.6/6.8
Diesel	-----	0577D00MAR	8	0.6/6.8
Angled Neck, Marinium Body				
Gas	-----	0579G00MAR*	8	0.6/6.8
Diesel	-----	0579D00MAR	8	0.6/6.8

ORDERING INFORMATION

DECK PIPES

Pipe Size Inches	O.D. Flange Inches	Std. Pkg. - 1 Pc.	OEM Bulk Pkg. 10 Pcs.	Ship Wt. Carton Lbs. STD Pkg./OEM Bulk
1-1/2	3-5/8	0528008MAR	0528008MAR	0.1/1.1
2	4-1/4	0528009MAR	-----	0.2/--
3	5-3/8	0528011MAR	-----	1.0/--

FOR GAS FILLS*

2	4-1/4	-----	0528G09MAR**	--/0.2
---	-------	-------	--------------	--------

FOR DIESEL FILLS

2	4-1/4	0528D09MAR	-----	0.7/--
---	-------	------------	-------	--------

FOR WATER FILLS

1-1/2	3-5/8	0528W08MAR	0528W08MAR	0.1/1.1
-------	-------	------------	------------	---------

Screw Sizes: 2-1/2 and 3 Inch Deck Plates #10, All Others #8.

** Sizes 9, 10 & 11 Have 4 Mounting Holes.

ROD HOLDERS

Angled: I.D. Tube: 1-5/8", O.D. Tube: 2", Bolt Size: 1/4"
Length Under Flange: 8"

Dimensions Flange Inches	Dealer Pkg. 5 Pks. 1 Pc. per Pkg.	OEM Bulk Pkg. 10 Pcs.	Ship Wt. Carton Lbs. DP/OEM Bulk
4-1/4 x 3-1/2	0448DP1MAR	0448001MAR	3.6/14.9

Flush Mt: I.D. Tube: 1-5/8", O.D. Tube: 2", Screw Size: 10
Length Under Flange: 9"

Dimensions Flange Inches	Dealer Pkg. 5 Pks. 1 Pc. per Pkg.	OEM Bulk Pkg. 10 Pcs.	Ship Wt. Carton Lbs. DP/OEM Bulk
3-1/2 O.D.	0447DP1MAR	0447001MAR	2.7/11.1

*NOTE: These Items Meet the Requirements of U.S.C.G. Safety Standards, January 31, 1977, for Gasoline Fuel Systems, 33 CFR 183.

Latches & Handles
Cleats
Chocks
Pipes
Dome Lights

Marinium® On Deck Items

FIG. 0752



FIG. 0119



15"

12"

10"

8"

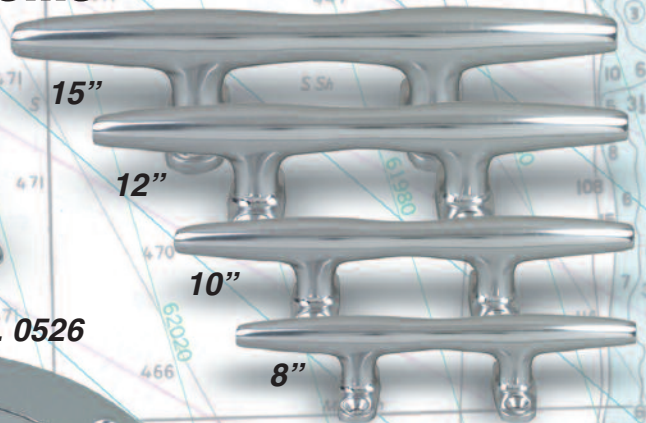


FIG. 0526

FIG. 0572

FIG. 0750



FIG. 0555

FIG. 0777



ORDERING INFORMATION

DECK PLATE

I.D. Opening Inches	O.D. Overall Inches	Standard Pkg. - 1 Pc.	Screw Size	Ship Wt. Carton Lbs. Std. Pkg.
3	5-3/8	0526003MAR	10	2.2
4	7-1/16	0526004MAR	10	3.3
5	8-3/8	0526005MAR	10	5.1
6	9-3/8	0526006MAR	1/4	7.9

DOME LIGHT

O.D. Globe : 6", OD Base" 7-7/8"

Depth Inches	Standard Pkg. - 1 Pc.	Screw Size	Ship Wt. Carton Lbs. Standard Pkg.
3-1/8	0555000MAR	8	1.5

CLEATS

Length Overall Inches	Dim. Base Inches	Max. Rope Size Inches	Dealer Pkg. 5 Cards 1 Pc. per Card
8	4 x 2-1/4	3/4	0572DP8MAR
10	5-1/16 x 2-13/16	7/8	-----
12	6-1/16 x 2-7/8	1	-----
15	7-3/8 x 3-5/8	1-1/2	-----

HATCH DOG

Cam Bar Length Inches	Max. Hatch Thickness Inches	Adjustment Cam Bar Inches	Dimensions Face Plate Inches
15/16	2	1-1/4 to 2	3-13/16 x 3

ROPE & CHAIN PIPE

Opening For Chain Size Inches	Dimensions Flange Inches	Height Overall Inches	Dealer Pkg. 5 Cards 1 Pc. per Card	Screw Size	Ship Wt. Carton Lbs. Dealer Pkg.
3/8	5-1/4 x 4	1-3/8	0750DP0MAR	8	1.1

HAWSE HOLE PIPE

Dimensions Outside Inches	Dimensions Inside Inches	Length Spigot Inches	Std. Pkg. - 1 Pc. OEM Pkg. - 10 Pcs.	Screw Size	Ship Wt. Carton Lbs. Std. Pkg./OEM Bulk
4-1/4 x 6	2-1/8 x 4-1/8	1-1/4	0752000MAR	1/4	0.01/0.2

CHOCKS

Max. Rope Size	Length Overall Inches	Width Inches	Dealer Pkg. 5 Cards 1 Pc. per Card	OEM Bulk Pkg. 5 Pcs.	Screw Size	Ship Wt. Carton Lbs. DP/OEM Bulk
3/4	4	7/8	0119DP4MAR	0119004MAR	8	0.7/0.5
1	6	1-1/8	0119DP6MAR	0119006MAR	12	1.4/1.3

Standard Package - 1 Pc.	OEM Bulk Pkg. 10 Pcs.	Screw Size	Ship Wt. Carton Lbs. DP/Std Pkg/OEM Bulk
0572008MAR	-----	1/4	0.9--/1.8
0572010MAR	-----	5/16	--/0.3--
0572012MAR	-----	5/16	--/0.4--
0572015MAR	-----	3/8	--/1.0--

Std Pkg. - 1 Pc. OEM Pkg. - 5 Pcs.	Screw Size	Ship Wt. Carton Lbs. Std. Pkg.
0777000MAR	8	0.4

Thru Hulls
Round Scupper
Oval Scupper

Marinium® Thru Hulls & Scuppers

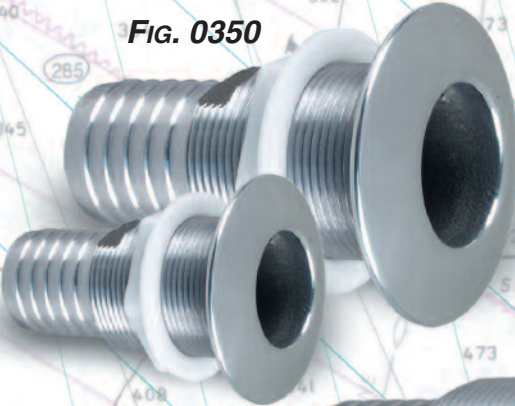


FIG. 0350

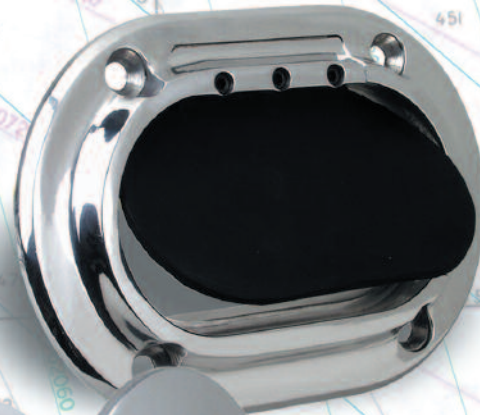


FIG. 0382

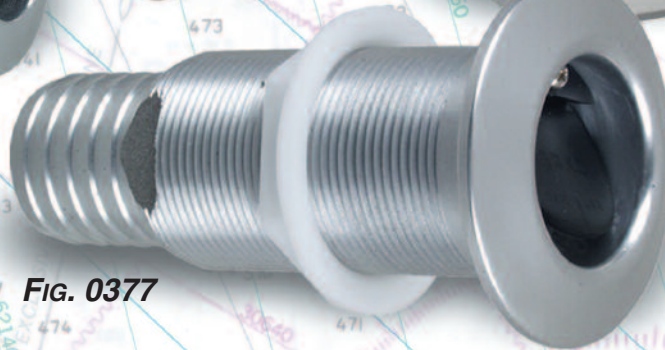


FIG. 0377

ORDERING INFORMATION

THRU-HULL CONNECTIONS

Max. Hose Size Inches	Hull Thickness Inches	O.D. Flange Inches	Dealer Pkg. 5 Pcs.	OEM Bulk Pkg. 10 Pcs.	Ship Wt. Carton Lbs. DP/OEM Bulk
3/4	5/8	1-7/8	0350S05DPM	0350S05MAR	0.7/1.4
1-1/8	5/8	2-1/4	0350S6ADPM	0350S6AMAR	1.0/1.8
1-1/2	5/8	3-1/8	0350S08DPM	0350S08MAR	2.0/3.7

ROUND SCUPPER

Hose Size Inches	Maximum Hull Thickness Inches	O.D. Flange Inches	OEM Bulk Pkg. 10 Pcs.	Ship Wt. Carton Lbs. OEM Bulk Pkg.
1-1/2	1-3/4	3-1/8	0377A08MAR	15.5

OVAL SCUPPER

Dimensions Outside Inches	Dimensions Inside Inches	Length Spigot Inches	Std. Pkg. - 1 Pc. OEM Pkg. - 10 Pcs.	Screw Size	Ship Wt. Carton Lbs. Std. Pkg./OEM Bulk
4-1/8 x 6	2-1/8 x 4	1-1/4	0382000MAR	1/4	0.01/0.2

NOTE: Thru-Hull Connections For Use With Hose Are Not Recommended For Use Below The Waterline Per A.B.Y.C. "Safety Standards For Small Craft" Section H-27.

New Product Bulletin